

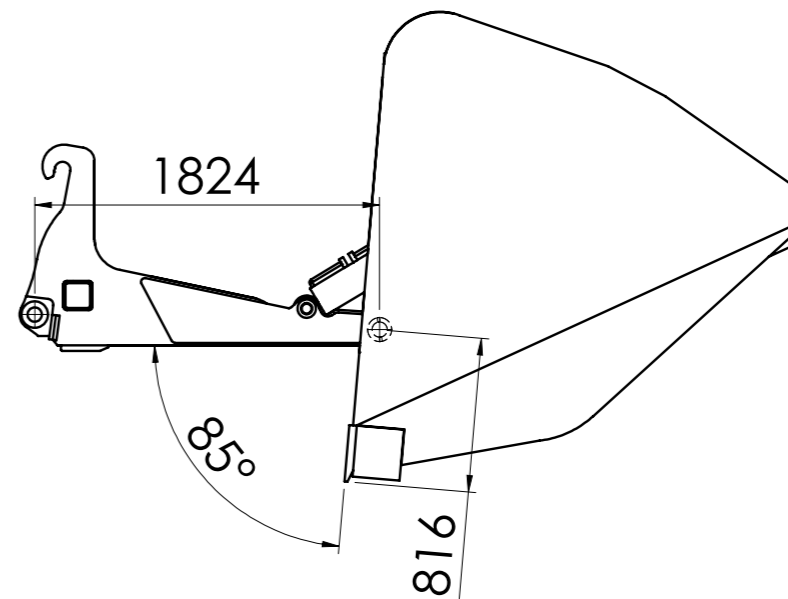
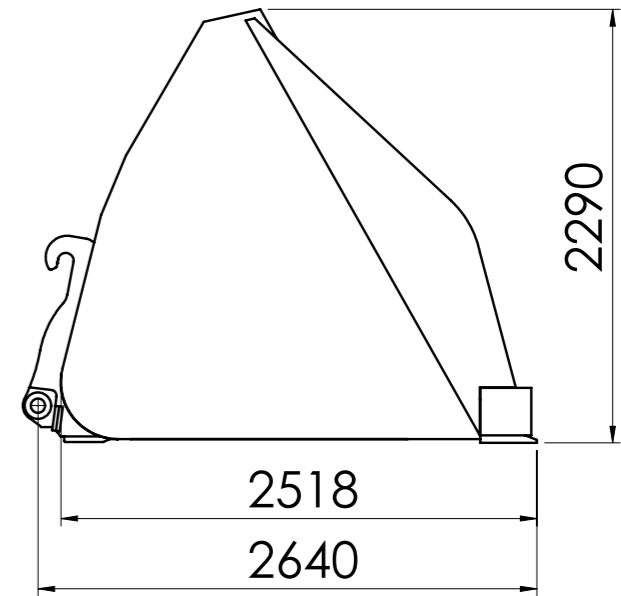
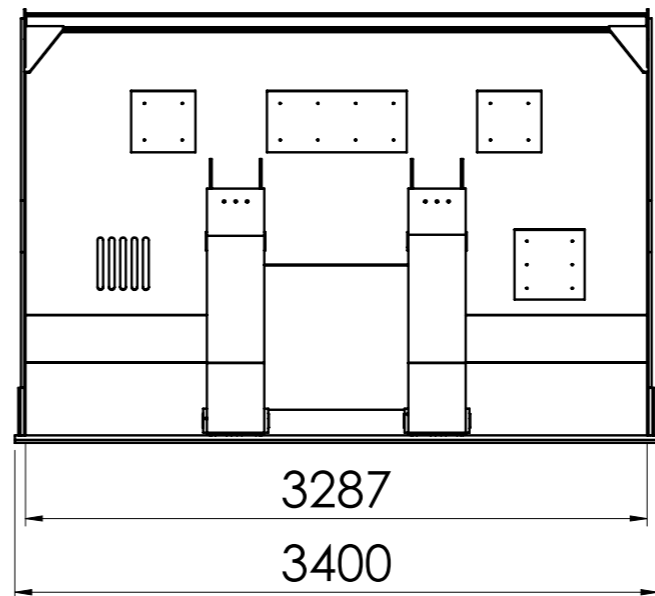
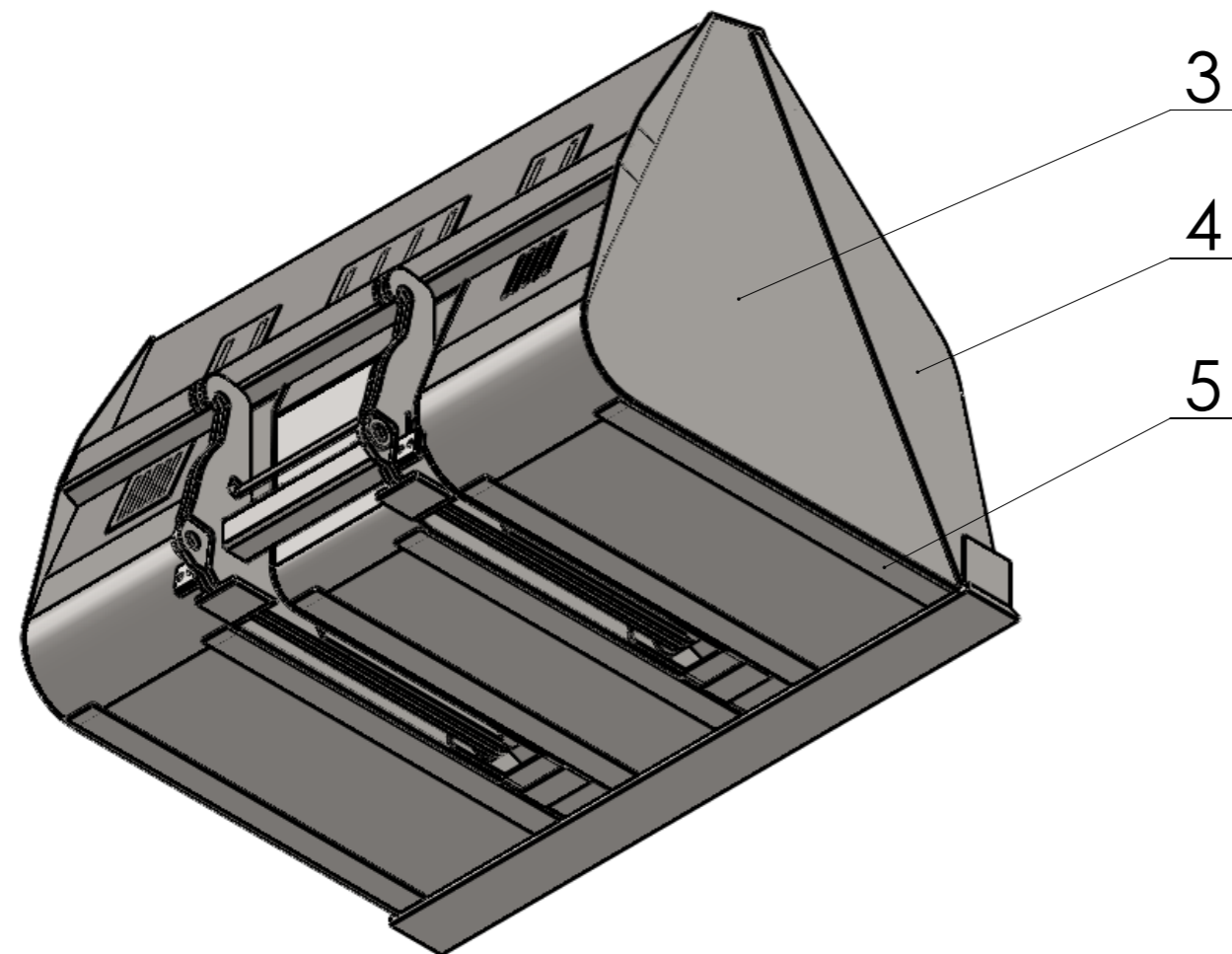
1

2

3

4

5



5	Bottom bar	S355	12x150 mm
4	Side member	S355	16 mm
3	Side	S355	8 mm
2	Bottom plate	S355	8 mm
1	Front edge	HB 500	40x300x3400 mm

NO.	TITLE	MATERIAL	DESCRIPTION
-----	-------	----------	-------------

	Volume	12000 L	Mass	4000 kg	Scale
--	--------	---------	------	---------	-------

Drawn	Teet Toming	Name
Checked		
Approved		
		HDB-491

	Sheet	Date
	1 of 1	26.01.2016