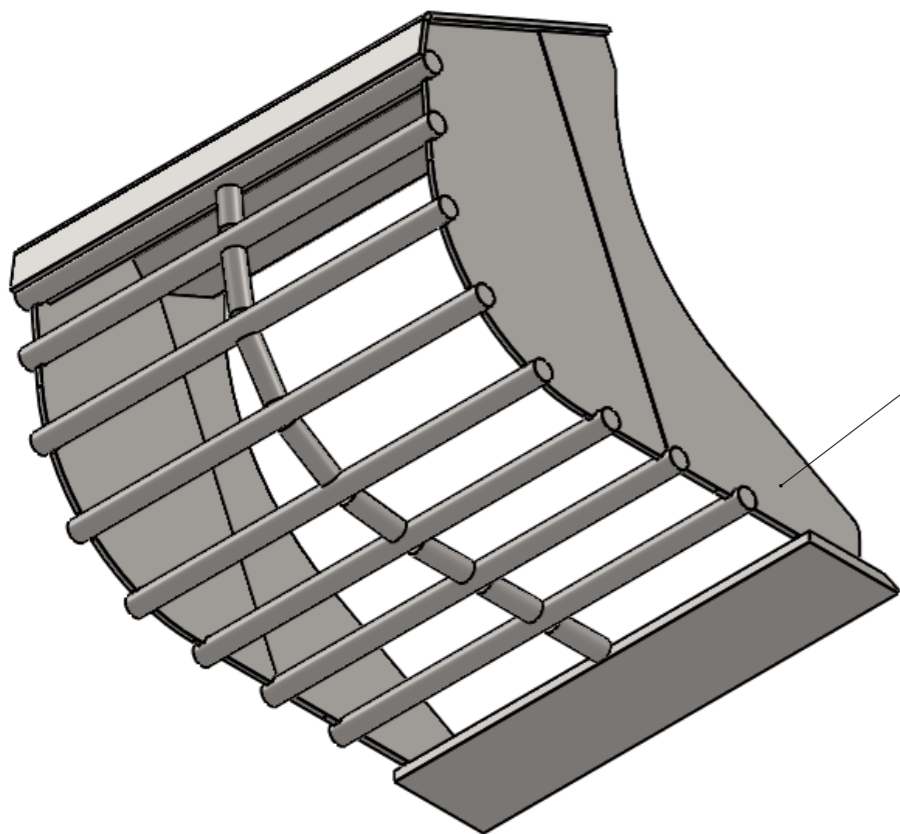


1

2

3



3	Side member	HB 400	10 mm
2	Bottom Bar	S355	∅ 30
1	Front edge	HB 500	16x150x700 mm
NO.	TITLE	MATERIAL	DESCRIPTION

	Volume	200 L	Mass	120 kg	Scale

Drawn	Teet Toming	Name DGB-209S
Checked		
Approved		

	Sheet	Date
	1 of 1	16.09.2015